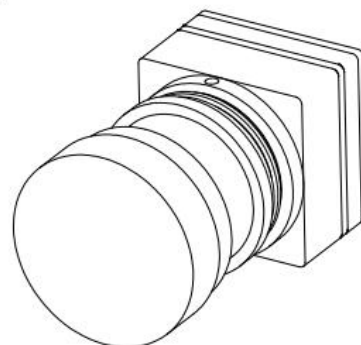
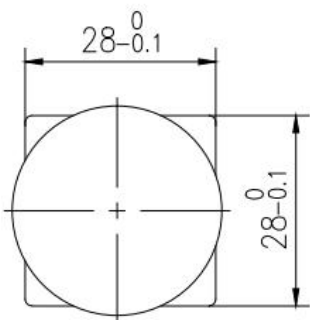
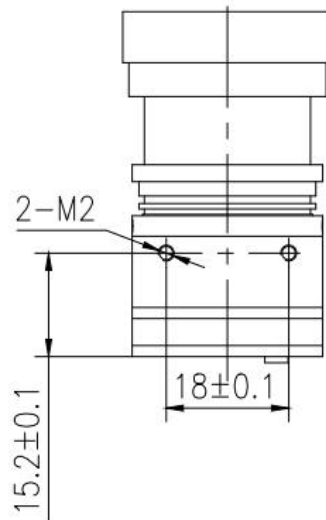
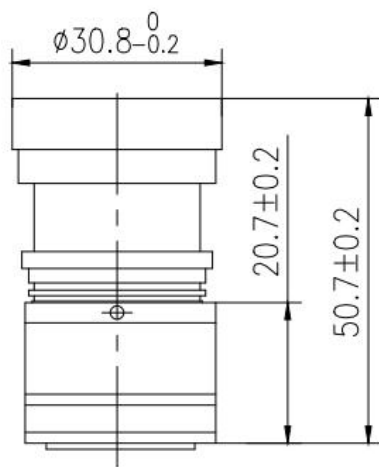
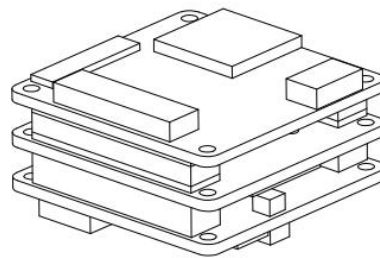
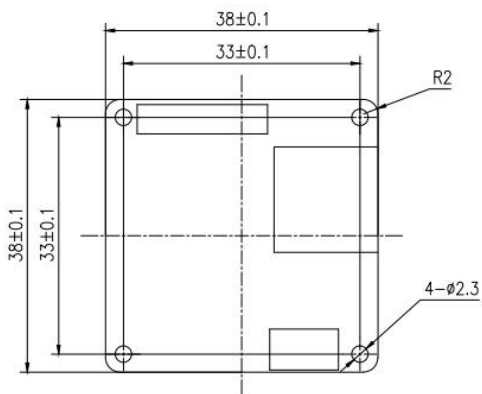
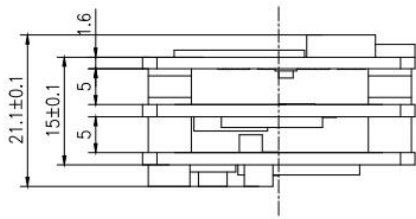


Product highlights:

1. Integrated Video Tracking
2. High image quality and scene adaptability
3. No shutter (NUC) technology
4. On-line temperature measurement, false color display
5. Support for external input video (picture-in-picture)
6. OSD interface display
7. Custom character overlays
8. Rich communication interfaces
9. Small size, low power consumption

Dimensions



Parameters

MODEL		S2K-F
Imaging index	Working format	Un-cooled 8 μ m~14 μ m
	Resolution	640 \times 480
	Size of pixel	17 μ m
	Emissivity correction	Emissivity0.01~1 adjustable
	NETD	\leq 50mK (@25 $^{\circ}$ C)
	MRTD	\leq 550mK (under characteristic frequency)
	Color palette	Black hot/white hot/pseudo color
	Digital zoom	2X、 3X、 4X
	Temperature measurement	Temperature bar with highest/lowest/center temperature spot
	Measurement range	0 $^{\circ}$ C~120 $^{\circ}$ C
Tracking index	Data refresh rate	25Hz (IR) / as Sony core (visible light)
	Tracking velocity	\pm 32 pixels / frame
	Target size	16x16 ~ 128x128 pixels
Environmental adaptation	Working temperature	-40 $^{\circ}$ C ~ 60 $^{\circ}$ C
	Storage temperature	-40 $^{\circ}$ C ~ 65 $^{\circ}$ C
Electrical interface	Communication interface	TTL
	Video Input	LVDS
	Video Output	HDMI+Net
	Video storage	The SD card stores JPEG images/h. 264, H265, and MP4 Video (32 gigabytes from the factory, up to 128 gigabytes)
	Power input	DC 12V
Others	Weight	< 155g
	Power consumption	\leq 4.6W (@25 $^{\circ}$ C)